

SDM60/12VDC

Class 2 Magnetic Dimmable

Outdoor Black Powder Coated Steel Enclosure

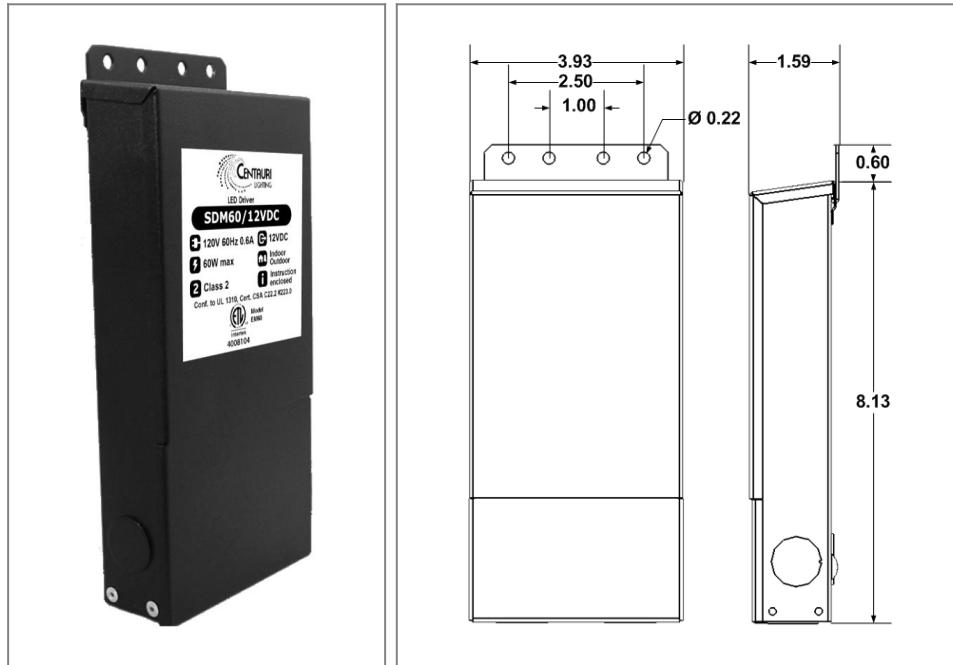
Single Circuit: **12VDC**

Total Wattage: **60W max**

Input Voltage: **120V 60Hz**



Conforms to UL STD. 1310
Certified to CSA
STD. C22.2 No. 223
model EM60



Transformer

Dimmable with any MLV, CL dimmer, as long as, dimmer's min. load is covered.

Temperature class B(130°C)

Input leads are 18AWG 600V

Output leads are 18AWG 300V

Leads max. operational temperature is 105°C

Thermal manually reset primary breaker 1A

Thermal manually reset secondary breaker 5A

Housing

The actual transformer 60W is encapsulated in the enclosure

The enclosure is Black Powder Coated Steel, NEMA 3R rated

Wiring compartment has 6 knockouts sizes for 3/8 inch screw cable connectors

Enclosure Temperature does not exceed 75°C at 45°C ambient and fully loaded

Dimensions (inch): H = 8.13, W = 3.93, D = 1.59

Weight (LBs): 3.8

Electrical Parameters

Input Voltage: **120V 60Hz**

Max. input current at full load: **0.6A**

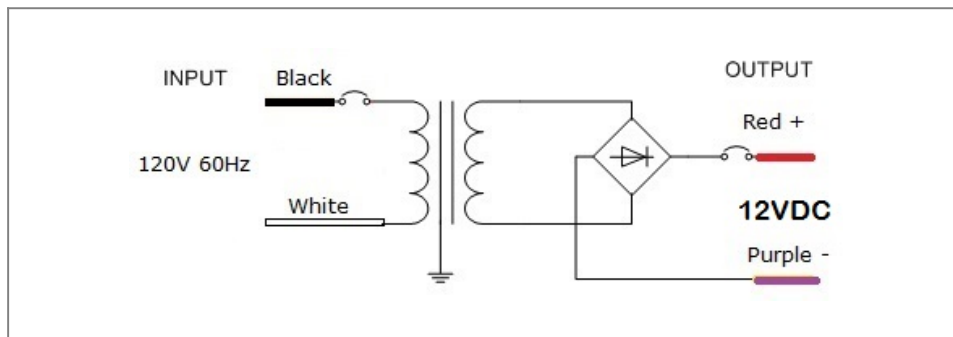
Output voltage without load: **13.5VDC**

Output voltage fully loaded: **11.5VDC**

Max. Total Wattage: **60W**

Max. Output Current: **5A**

Efficiency: **85%**



Mailing Address: 14826 Wrolson Lane Valders, WI 54245 940-773-3924
info@centaurilighting.com